

TECHNICAL DATA – 2 PART

2 PART

Cementitious Waterproofing Membrane

DESCRIPTION:

2 PART is a cementitious, two part waterproofing membrane 2 PART is based on high alumina, fast setting cements and is mixed with a high solids water resistant pure acrylic. 2 PART combines the fast drying and excellent adhesion characteristics of traditional 2 part membranes with the excellent toughness, elongation and flexibility of modern acrylic membranes. 2 PART has been designed to pass all of the requirements of AS4654.1:2012 for class II waterproofing membranes.

AREAS OF APPLICATION:

Designed for use as an under tile membrane on balconies, roofs as well as some swimming pools. 2 PART has excellent adhesion to concrete, cement screeds and most F/C sheet and is used together with RLA elastic waterproof tape for maximum performance and ease of use.

ACCEPTABLE SUBSTRATES FOR WATERPROOFING

- Concrete after curing period of 28 days
- Masonry / render after curing period of at least 7 days
- Cement sheeting / underlay
- Pre-cast concrete once release agent has been removed/ dissipated
- Wet area plasterboard / Villaboard
- Structural Plywood Type A (PAA JAS-ANZ)
- Brickwork ,Hebel (aggregate block)

APPLICATION**Surface preparation**

Substrates should be prepared in accordance with AS4654.2:2012.

Concrete should have a wood trowelled finish. Surfaces should be clean, dry, free of grease, dirt and curing compounds. All building materials must be fixed in accordance with the manufacturer's instructions with regard to external areas and tiling. Concrete should be allowed to cure for at least 28 days and cement screeds should be cured for 7 days prior to waterproofing. Dense concrete, steel trowelled concrete or highly finished concrete must be abraded to yield a rough finish. Sheet joints and cracks larger than 1 mm should be filled with RLA Fillet and Joint Seal or RLA neutral cure silicone then covered with RLA Peel N Stick tape.

TECHNICAL DATA – 2 PART

For cracks larger than 3mm, consult the RLA Technical Centre.

Appropriate falls should be employed as indicated in AS4654.2 (at least 1:100). On free standing balconies the fall should go to the edge of the balcony and a drip mould be installed. Where a waste outlet is to be used, ensure falls to the waste.

2 PART is suitable for most swimming pools of concrete construction as long as it has been rendered and then primed with RLA Moisture Seal. Also, use RLA Moisture Seal on concrete surfaces that are less than 4 weeks old or have been inundated with water and cannot be properly dried.

Exterior waterproofing should be carried out in accordance with AS4654.2 - Waterproofing Exterior. Dilute some of the mixture 10-20% with water and prime surface with this mixture. Apply 2 PART waterproofing using a brush roller or airless spray, at a spreading rate of about 1.2m² per litre of product. Allow 4-8 hours to dry then apply a second coat. Average film build should be 1.2mm dry film thickness.

Minimum film build should be 1.0mm. Ensure that membrane continues up walls at least 100mm (and under flashing) as well as up and over any parapet walls and into any wastes.

Allow the final coat to dry for at least 24 hours before tiling (longer in cool climates). In pools allow to cure for a minimum of 7 days.

Take special care to use RLA Peel N Stick waterproof tape with wall floor junctions. (See Fig 1)

Where there are expansion joints or control joints built into the floor or wall (10mm or less) these must be bridged with RLA Peel N Stick waterproof tape (See Fig 3) and then brought through to the tiling (for larger or more complex joints consult AS4654.2. 2 PART can be used underneath or above cement screeds prior to tiling. Use RLA Peel N Stick waterproof tape to reinforce the membrane at wall/floor junctions, Sheet joints, expansion joints and over crack repairs.

Where the RLA Peel N Stick waterproof tape must be joined, overlap the strips by at least 100mm. At internal corners or external corners use prefabricated corner tape or if necessary make the corner by cutting and folding the tape. Ensure any cut corners are well sealed with 2 PART.

TECHNICAL DATA – 2 PART

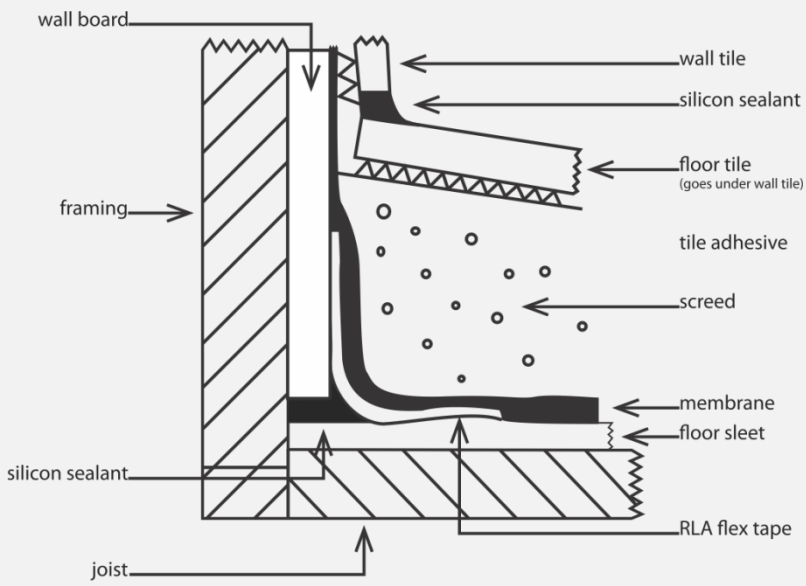


Fig.1

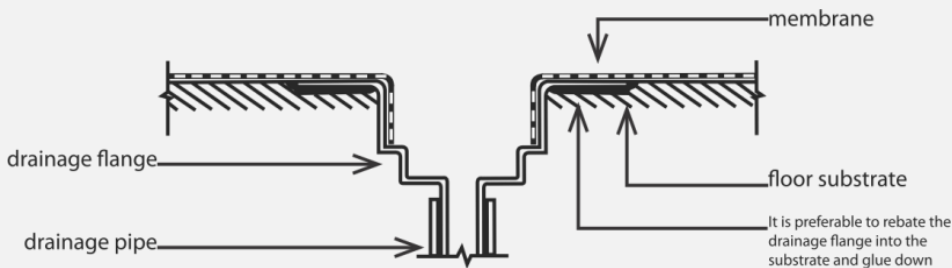


Fig.2

TECHNICAL DATA – 2 PART

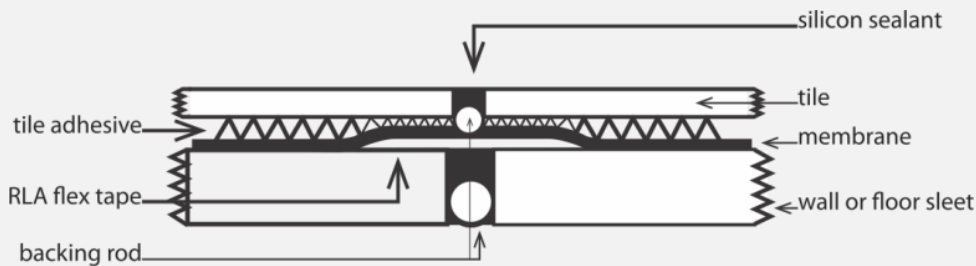


Fig.3

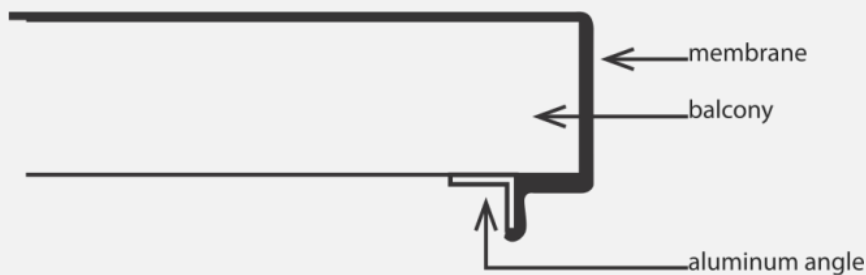


Fig.4

MIXING:

Add approx. 8 litres of liquid to a 20L bucket. While mixing with a power mixer add one of the 10Kg bags of powder and continue mixing until a thick smooth paste is achieved. When the mixture is lump free, add another 2 litres of liquid and continue mixing until homogeneous.

Allow to stand for 5 minutes. Remix for a few seconds and the product is ready to apply. Smaller quantities can be mixed if necessary using the same ratios. Remix every 20 to 30 minutes if required. If storing for a short time place a lid on the bucket to reduce skinning and then remix when ready to use. Do not use product that has been mixed and left standing for longer than 2 hours or has become very thick.

COVERAGE:

Coverage will vary depending on the absorbency and flatness of the substrate on smooth dense concrete a 40Kg kit will cover approximately 16 m² using 2 coats with a dry film thickness of 1.2mm.

PACKAGING & SHELF LIFE:

RLA 2 PART comes as a kit containing 2 x 10Kg bags of powder sealed in a 20L bucket and a 20L bucket of liquid additive. RLA 2 PART should be stored in a cool dry place up off the floor and out of direct sunlight. Under good storage conditions, RLA 2 PART has a shelf life of at least 12 months.

TECHNICAL DATA – 2 PART

HANDY TIPS:

- Do not apply RLA 2 PART in temperatures below 10°C or above 40°C. In cool conditions use a fan to assist drying overnight (for interior installations).
- Make sure when the membrane has an even thickness of 1.0 to 1.5mm when dry.
- Protect uncured waterproofing from rain or leaking water.
- Do not use where there is negative hydrostatic pressure, use RLA Moisture Seal to seal concrete first.
- For more complex balcony structures consult AS4654.2 Waterproofing Exterior, for details and drawings.
- For swimming pools more detailed information can be sought from the RLA Technical Centre.
- For step down, frameless showers & other complex bathrooms, consult AS 3740:2010 or contact the RLA Technical Centre.

PRODUCT DATA

Colour	Off White
Mixing Ratio	1:1
S.G of mixed product	1.40 approx.
Total Solids Content	80%
Coverage	23m ² per 40kg Kit
Tensile Strength	1.9Mpa

AVAILABILITY:

RLA 2 PART is available Australia wide through the RLA Group distributor network. Please contact RLA Group 1800 242 931 to find out where your nearest stockist will be.

TECHNICAL SUPPORT:

RLA Polymers manufactures a comprehensive range of high quality, high performance construction products. In addition, RLA Polymers offers technical support and on-site advice to specifiers, end users and contractors. Please contact your RLA Polymers sales representative or RLA Head Office for this service

Product: RLA 2 PART
 Issue Date: MAR 19
 Issue No: D01
 Item No Part A: RL7190L
 Item No Part B: RL7190P

TECHNICAL DATA – 2 PART

DISCLAIMER

The information and any recommendations relating to the application and end-use of all RLA products are provided in good faith based on RLA's knowledge and experience of the products. In applications, the differences in materials, and variances of substrates and actual site conditions can vary such that no warranty in respect of fitness for a particular purpose, nor any liability arising out of any legal relationship whatsoever, can be taken as inferred either from this information, or from any written recommendations, or from any other advice offered by RLA. The proprietary rights of third parties must be observed. All orders are accepted subject to our sale terms and conditions. All users should always refer to the most recent and up to date issue of the Technical Data Sheet for the product concerned, which is available on request. It is recommended that products should always be properly stored, handled and applied under tested and recommended conditions.

PLEASE CONSULT OUR TECHNICAL DEPARTMENT FOR FURTHER INFORMATION.